



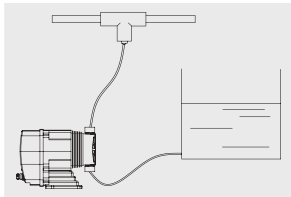
# TANK60 Integrated Dosing System

- ◆ Can be equipped with NEWDOSE electromagnetic dosing pumps;
- ◆ The flow calibration tube shows the liquid level in real time;
- ◆ Simple installation, disassembly and washing, and sewage can be discharged at any time;
- ◆ Multiple safety protection design to prevent damage caused by liquid leakage and corrosion;
- ◆ Integrated design, without the need to prepare other accessories as a base;
- ◆ Can be equipped with mixer, liquid level sensor, controller, electrical panel, fault alarm, remote signal adjustment;
- ◆ The integrated complete set of dosing device is safe, efficient, simple and beautiful.

## Model Table

Model	Volume L	Pump Quantity Unit	Pump Model
TANK 60-1-M	60	1	All solenoid dosing pump series / Motor-X
TANK120-2-M	120	2	All solenoid dosing pump series / Motor-X

## Multifunctional Integrated Design



Ideal installation position: the position of the pump in the system is the best condition, and cavitation is not easy to produce, the amount of gas generated and accumulated inside the pipe is small, and it is not easy to produce blockage of gas.



Flow Calibration: Turn the knob clockwise to calibrate and calibrate the dosing pump flow.

Actual flow = difference between initial and final liquid level \* 2 \* 60 (L/h)



Unscrew the outer cable plug to drain, easy to operate, and the maintenance barrel and pipe can be cleaned at any time.



PVC calibration tube, clean and read the value of the liquid level in the barrel.



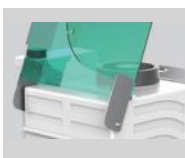
Three sets of bolt holes are reserved at the bottom of the barrel, which can be fitted with a full range of new Dotz electromagnetic pumps and Motor-X miniature mechanical diaphragm pumps.



The installation position of the mixer is reserved at the top to perform the mixing function.



Equipped with a transparent bucket cover to protect the pump and prevent malfunction by on-site personnel.



The connection between the barrel cap and the barrel is made of a stainless steel plate, which is durable and not brittle.



The bottom is equipped with fixing bolts to prevent accidental operation falling off.

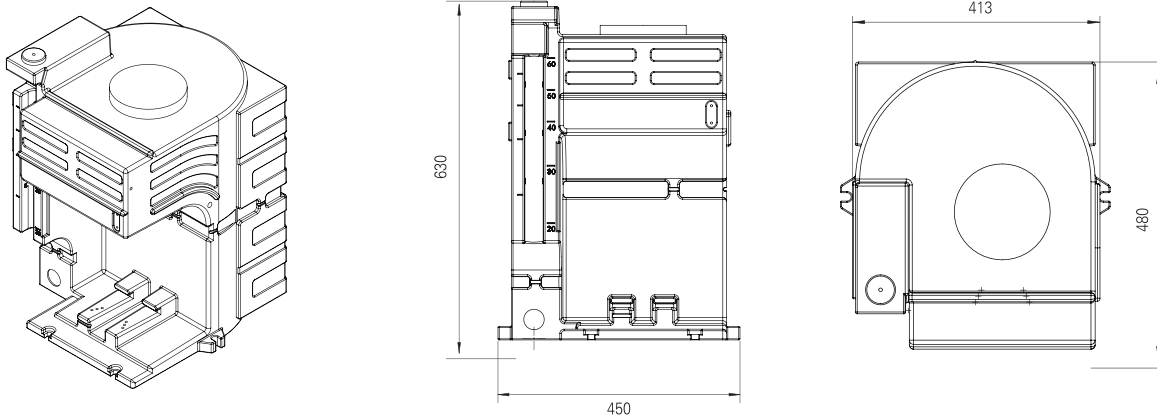


Equipped with safety stickers to warn the scene and standardize the operation.

**Parameters Table**

Model	Volume(L)	Material	Water contact Material	Weight(KG)
TANK-60-1-M	60	PE	PE, PVC, PP, FPM etc.	9.5
TANK-120-2-M	120	PE	PE, PVC, PP, FPM etc.	/

**Dimension**



**Pump Mode**



All electromagnetic series / Motor-X



All electromagnetic series / Motor-X

**Optional equipments**



Stirrer



liquid level sensor



safety lock



meter or controller